

PARTS LIST

CAUTION

- The parts identified by the \triangle symbol are important for the safety. Whenever replacing these parts, be sure to use specified ones to secure the safety.
- The parts not indicated in this Parts List and those which are filled with lines — in the Parts No. columns will not be supplied.
- P. W. Board Ass'y will not be supplied, but those which are filled with the Parts No. in the Parts No. columns will be supplied.

ABBREVIATIONS OF RESISTORS, CAPACITORS AND TOLERANCES

RESISTORS		CAPACITORS	
C R	Carbon Resistor	C CAP.	Ceramic Capacitor
F R	Fusible Resistor	E CAP.	Electrolytic Capacitor
P R	Plate Resistor	M CAP.	Mylar Capacitor
V R	Variable Resistor	HV CAP.	High Voltage Capacitor
HV R	High Voltage Resistor	MF CAP.	Metalized Film Capacitor
MF R	Metal Film Resistor	MM CAP.	Metalized Mylar Capacitor
MG R	Metal Glazed Resistor	MP CAP.	Metalized Polystyrol Capacitor
MP R	Metal Plate Resistor	PP CAP.	Polypropylene Capacitor
OM R	Metal Oxide Film Resistor	PS CAP.	Polystyrol Capacitor
CMF R	Coating Metal Film Resistor	TF CAP.	Thin Film Capacitor
UNF R	Non-Flammable Resistor	MPP CAP.	Metalized Polypropylene Capacitor
CH V R	Chip Variable Resistor	TAN. CAP.	Tantalum Capacitor
CH MG R	Chip Metal Glazed Resistor	CH C CAP.	Chip Ceramic Capacitor
COMP. R	Composition Resistor	BP E CAP.	Bi-Polar Electrolytic Capacitor
LPTC R	Linear Positive Temperature Coefficient Resistor	CH AL E CAP.	Chip Aluminum Electrolytic Capacitor
NETW R	Network Resistor	CH AL BP CAP.	Chip Aluminum Bi-Polar Capacitor
		CH TAN. E CAP.	Chip Tantalum Electrolytic Capacitor

TOLERANCES									
F	G	J	K	M	N	R	H	Z	P
±1%	±2%	±5%	±10%	±20%	±30%	+30%	+50%	+80%	+100%
						-10%	-10%	-20%	-0%

CONTENTS

- P.W. BOARDS 28
- EXPLODED VIEW PARTS LIST 28
- EXPLODED VIEW 29
- PRINTED WIRING BOARD PARTS LIST
 - MAIN PW BOARD ASS'Y 30
 - CRT SOCKET PW BOARD ASS'Y 34
- PACKING / PACKING PARTS LIST 35
- REMOTE CONTROL UNIT PARTS LIST 35

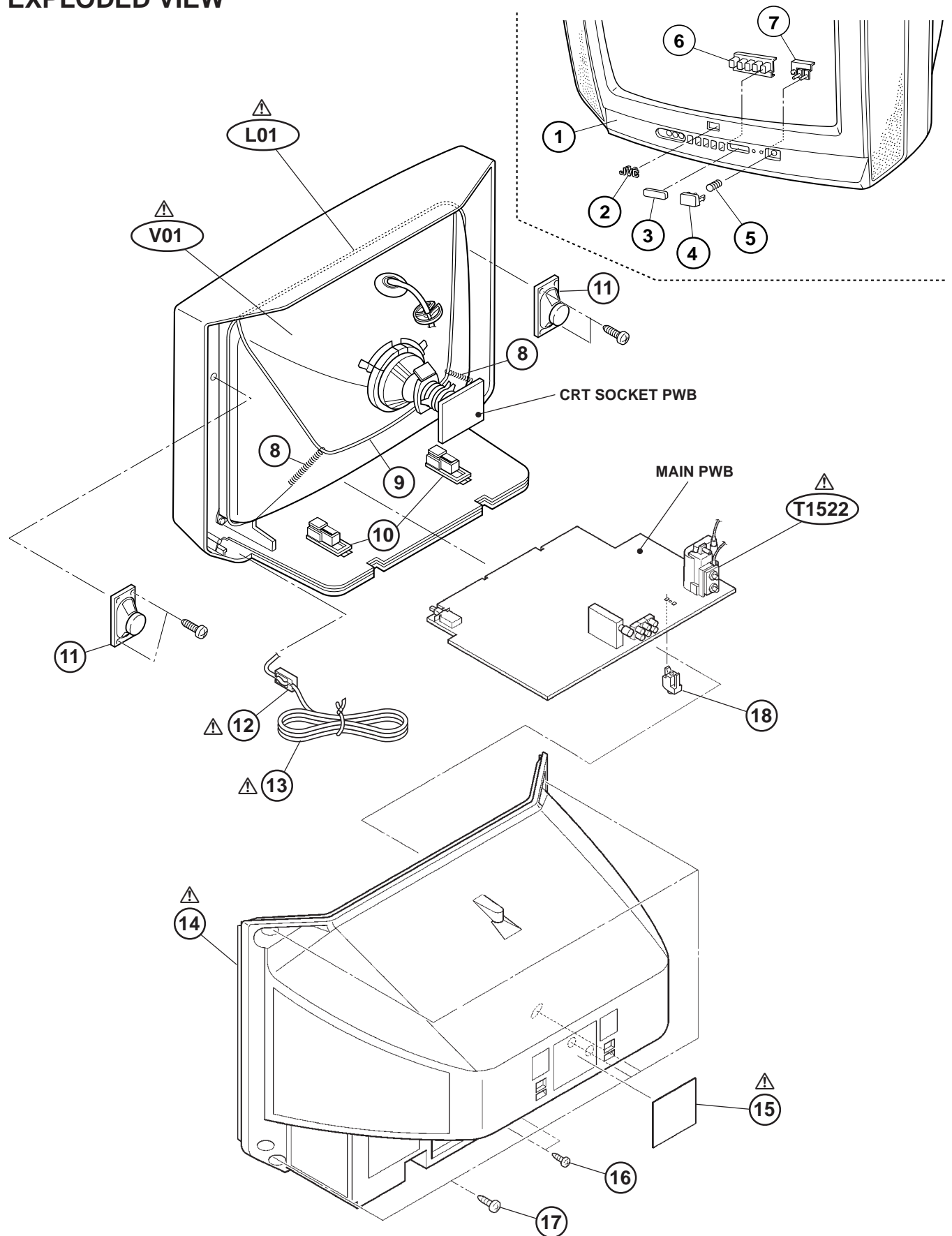
P.W. BOARDS

P.W.B. ASS'Y	PART NO.
MAIN P.W.B.	SCL-1287A-CK
CRT SOCKET P.W.B	SCL-3013A-CK

EXPLODED VIEW PARTS LIST

△ Ref.No.	Part No.	Part Name	Description	Local
△ V01	A38JLL91X13	PICTURE TUBE	ITC Type (Includes DEF YOKE.)	
△ L01	QQW0022-001	DEG COIL		
△ T1522	QQH0072-001	H.V. TRANSF.		
1	LC10617-004A	FRONT CABINET		
2	LC40606-003A	JVC MARK		
3	LC30617-001C-H	E.E. WINDOW		
4	LC30616-004A-H	POWER KNOB		
5	CM35235-006-H	SPRING		
6	LC20292-004A-H	CONTROL KNOB		
7	LC30618-001A-H	LED LENS		
8	A48457-4-S	SPRING	(x2)	
9	WJY0014-001A	E-BRAIDED ASSY		
10	CM36623-B01-H	CHASSIS RAIL	(x2)	
11	CEBSS09D-03KJ2	SPEAKER	(x2) SP01,SP02	
△ 12	CM47005-A01-H	CORD CLAMP		
△ 13	QMP4000-200J5	POWER CORD	or QMP4000-200J3	
△ 14	LC10618-001A	REAR COVER		
△ 15	GG20001-014A-H	RATING LABEL		
16	QYSBSF3010Z	TAPPING SCREW	(x2)	
17	QYSBSFG4016Z	TAPPING SCREW	(x5)	
18	CM48144-002-H	PB STOPPER		

EXPLODED VIEW



PRINTED WIRING BOARD PARTS LIST

MAIN P.W. BOARD ASS'Y (SCL-1287A-CK)

Symbol No.	Part No.	Part Name	Description	Local
RESISTOR				
R1002	QRE141J-221Y	C R	220Ω 1/4W J	
R1003	QRE141J-221Y	C R	220Ω 1/4W J	
R1101	QRE141J-224Y	C R	22kΩ 1/4W J	
R1102	QRE141J-153Y	C R	15kΩ 1/4W J	
R1103	QRE141J-682Y	C R	6.8kΩ 1/4W J	
R1104	QRE141J-181Y	C R	180Ω 1/4W J	
R1105	QRE141J-222Y	C R	2.2kΩ 1/4W J	
R1106	QRE141J-122Y	C R	1.2kΩ 1/4W J	
R1108	QRE141J-750Y	C R	75Ω 1/4W J	
R1110	QRE141J-272Y	C R	2.7kΩ 1/4W J	
R1111	QRE141J-101Y	C R	100Ω 1/4W J	
R1112	QRE141J-103Y	C R	10kΩ 1/4W J	
R1113	QRE141J-561Y	C R	560Ω 1/4W J	
R1114	QRE141J-561Y	C R	560Ω 1/4W J	
R1116	QRE141J-104Y	C R	100kΩ 1/4W J	
R1117	QRE141J-272Y	C R	2.7kΩ 1/4W J	
R1118	QRE141J-273Y	C R	27kΩ 1/4W J	
R1119	QRE141J-224Y	C R	22kΩ 1/4W J	
R1120	QRE141J-822Y	C R	8.2kΩ 1/4W J	
R1121	QRE141J-221Y	C R	220Ω 1/4W J	
R1123	QRE141J-151Y	C R	150Ω 1/4W J	
R1125	QRE141J-102Y	C R	1kΩ 1/4W J	
R1126	QRE141J-103Y	C R	10kΩ 1/4W J	
R1127	QRE141J-221Y	C R	220Ω 1/4W J	
R1128	QRE141J-821Y	C R	820Ω 1/4W J	
R1129	QRE141J-221Y	C R	220Ω 1/4W J	
R1130	QRE141J-222Y	C R	2.2kΩ 1/4W J	
R1131	QRE141J-271Y	C R	270Ω 1/4W J	
R1132	QRE141J-331Y	C R	330Ω 1/4W J	
R1133	QRE141J-331Y	C R	330Ω 1/4W J	
R1135	QRE141J-224Y	C R	22kΩ 1/4W J	
R1203	QRE141J-224Y	C R	22kΩ 1/4W J	
R1204	QRE141J-391Y	C R	390Ω 1/4W J	
R1205	QRE141J-391Y	C R	390Ω 1/4W J	
R1206	QRE141J-103Y	C R	10kΩ 1/4W J	
R1208	QRE141J-681Y	C R	680Ω 1/4W J	
R1209	QRE141J-821Y	C R	820Ω 1/4W J	
R1210	QRE141J-122Y	C R	1.2kΩ 1/4W J	
R1232	QRE141J-101Y	C R	100Ω 1/4W J	
R1233	QRE122J-101	C R	100Ω 1/2W J	
R1234	QRE141J-680Y	C R	68Ω 1/4W J	
R1235	QRE141J-750Y	C R	75Ω 1/4W J	
R1303	QRE141J-273Y	C R	27kΩ 1/4W J	
R1304	QRE141J-101Y	C R	100Ω 1/4W J	
R1305	QRE141J-101Y	C R	100Ω 1/4W J	
R1306	QRE141J-101Y	C R	100Ω 1/4W J	
R1307	QRE141J-102Y	C R	1kΩ 1/4W J	
R1308	QRE141J-102Y	C R	1kΩ 1/4W J	
R1309	QRE141J-102Y	C R	1kΩ 1/4W J	
R1310	QRE141J-102Y	C R	1kΩ 1/4W J	
R1311	QRE141J-333Y	C R	33kΩ 1/4W J	
R1313	QRE141J-103Y	C R	10kΩ 1/4W J	
R1314	QRE141J-101Y	C R	100Ω 1/4W J	
R1315	QRE141J-101Y	C R	100Ω 1/4W J	
R1403	QRE141J-682Y	C R	6.8kΩ 1/4W J	
R1422	QRE141J-472Y	C R	4.7kΩ 1/4W J	
R1423	QRE141J-221Y	C R	220Ω 1/4W J	
R1425	QRE141J-333Y	C R	33kΩ 1/4W J	
R1426	QRE141J-333Y	C R	33kΩ 1/4W J	
R1427	QRE141J-103Y	C R	10kΩ 1/4W J	
R1429	QRE141J-562Y	C R	5.6kΩ 1/4W J	
R1430	QRE141J-103Y	C R	10kΩ 1/4W J	
R1431	QRE141J-822Y	C R	8.2kΩ 1/4W J	
R1432	QRE122J-8R2	C R	8.2Ω 1/2W J	
R1433	QRE122J-8R2	C R	8.2Ω 1/2W J	
R1434	QRE141J-183Y	C R	18kΩ 1/4W J	
R1440	QRG01GJ-221	OM R	220Ω 1W J	
R1441	QRE141J-682Y	C R	6.8kΩ 1/4W J	
R1442	QRE141J-822Y	C R	8.2kΩ 1/4W J	
R1443	QRK129J-1R0	C R	1.0Ω 1/2W J	
R1444	QRE122J-821	C R	820Ω 1/2W J	
R1450	QRE141J-222Y	C R	2.2kΩ 1/4W J	
R1451	QRE141J-103Y	C R	10kΩ 1/4W J	

Symbol No.	Part No.	Part Name	Description	Local
RESISTOR				
R1452	QRE141J-222Y	C R	2.2kΩ 1/4W J	
R1453	QRE141J-122Y	C R	1.2kΩ 1/4W J	
R1501	QRE141J-822Y	C R	8.2kΩ 1/4W J	
R1502	QRE141J-621Y	C R	620Ω 1/4W J	
R1504	QRE141J-103Y	C R	10kΩ 1/4W J	
R1505	QRE141J-104Y	C R	100kΩ 1/4W J	
R1506	QRG01GJ-121	OM R	120Ω 1W J	
R1522	QRE141J-123Y	C R	12kΩ 1/4W J	
R1523	QRE121J-563Y	C R	56kΩ 1/2W J	
R1524	QRG029J-332	OM R	3.3kΩ 2W J	
R1525	QRG029J-332	OM R	3.3kΩ 2W J	
R1526	QRE122J-220	C R	22Ω 1/2W J	
R1528	QRE122J-471	C R	470Ω 1/2W J	
R1529	QRL039J-121	OM R	120Ω 3W J	
R1582	QRE141J-123Y	C R	12kΩ 1/4W J	
R1583	QRE141J-123Y	C R	12kΩ 1/4W J	
R1591	QRE141J-273Y	C R	27kΩ 1/4W J	
R1594	QRE141J-332Y	C R	3.3kΩ 1/4W J	
R1601	QRE141J-182Y	C R	1.8kΩ 1/4W J	
R1602	QRE141J-102Y	C R	1kΩ 1/4W J	
R1603	QRE141J-103Y	C R	10kΩ 1/4W J	
R1604	QRE141J-222Y	C R	2.2kΩ 1/4W J	
R1605	QRE141J-221Y	C R	220Ω 1/4W J	
R1606	QRE141J-152Y	C R	1.5kΩ 1/4W J	
R1607	QRE141J-182Y	C R	1.8kΩ 1/4W J	
R1608	QRE141J-561Y	C R	560Ω 1/4W J	
R1610	QRE141J-223Y	C R	22kΩ 1/4W J	
R1611	QRE141J-153Y	C R	15kΩ 1/4W J	
R1612	QRE141J-221Y	C R	220Ω 1/4W J	
R1613	QRE141J-472Y	C R	4.7kΩ 1/4W J	
R1615	QRE141J-471Y	C R	470Ω 1/4W J	
R1616	QRE141J-220Y	C R	22Ω 1/4W J	
R1617	QRE141J-821Y	C R	820Ω 1/4W J	
R1621	QRE141J-393Y	C R	39kΩ 1/4W J	
R1622	QRE141J-103Y	C R	10kΩ 1/4W J	
R1623	QRE141J-181Y	C R	180Ω 1/4W J	
R1624	QRE141J-101Y	C R	100Ω 1/4W J	
R1625	QRE141J-561Y	C R	560Ω 1/4W J	
R1626	QRE141J-182Y	C R	1.8kΩ 1/4W J	
R1627	QRE141J-561Y	C R	560Ω 1/4W J	
R1628	QRE141J-561Y	C R	560Ω 1/4W J	
R1629	QRE141J-221Y	C R	220Ω 1/4W J	
R1630	QRE141J-221Y	C R	220Ω 1/4W J	
R1631	QRE141J-681Y	C R	680Ω 1/4W J	
R1632	QRE141J-681Y	C R	680Ω 1/4W J	
R1633	QRE141J-102Y	C R	1kΩ 1/4W J	
R1634	QRE141J-102Y	C R	1kΩ 1/4W J	
R1635	QRE141J-472Y	C R	4.7kΩ 1/4W J	
R1636	QRE141J-472Y	C R	4.7kΩ 1/4W J	
R1637	QRE141J-181Y	C R	180Ω 1/4W J	
R1638	QRE141J-181Y	C R	180Ω 1/4W J	
R1640	QRE141J-105Y	C R	100kΩ 1/4W J	
R1641	QRE141J-822Y	C R	8.2kΩ 1/4W J	
R1642	QRE141J-154Y	C R	150kΩ 1/4W J	
R1643	QRE141J-102Y	C R	1kΩ 1/4W J	
R1644	QRE141J-562Y	C R	5.6kΩ 1/4W J	
R1645	QRE141J-562Y	C R	5.6kΩ 1/4W J	
R1646	QRE141J-562Y	C R	5.6kΩ 1/4W J	
R1647	QRE141J-102Y	C R	1kΩ 1/4W J	
R1648	QRE141J-562Y	C R	5.6kΩ 1/4W J	
R1649	QRE141J-182Y	C R	1.8kΩ 1/4W J	
R1651	QRE141J-182Y	C R	1.8kΩ 1/4W J	
R1652	QRE141J-103Y	C R	10kΩ 1/4W J	
R1653	QRE141J-122Y	C R	1.2kΩ 1/4W J	
R1654	QRE141J-182Y	C R	1.8kΩ 1/4W J	
R1655	QRE141J-103Y	C R	10kΩ 1/4W J	
R1656	QRE141J-122Y	C R	1.2kΩ 1/4W J	
R1661	QRE141J-101Y	C R	100Ω 1/4W J	
R1662	QRE141J-182Y	C R	1.8kΩ 1/4W J	
R1664	QRK129J-4R7	C R	4.7Ω 1/2W J	
R1665	QRK129J-4R7	C R	4.7Ω 1/2W J	
R1666	QRE141J-561Y	C R	560Ω 1/4W J	
R1667	QRE141J-561Y	C R	560Ω 1/4W J	

Symbol No.	Part No.	Part Name	Description	Local
COIL				
L1101	QQL05BK-2R2	PEAKING COIL	2.2μH	K
L1104	QQL242K-150	PEAKING COIL	15μH	K
L1105	QQL242K-8R2	PEAKING COIL	8.2μH	K
L1106	QQL242K-100	PEAKING COIL	10μH	K
L1301	QQL242K-470	PEAKING COIL	47μH	K
L1302	QQL242K-470	PEAKING COIL	47μH	K
L1303	QQL242K-4R7	PEAKING COIL	4.7μH	K
L1522	CE41807-00B	H. LIN. COIL		
L1551	QQLZ018-670	HEATER CHOKE		
L1552	QQL231J-560Y	COIL	56μH	J
L1601	QQL242K-120	PEAKING COIL	12μH	K
L1701	QQL242K-5R6	PEAKING COIL	5.6μH	K
L1941	QQL42AK-820	CHOKE COIL	82μH	K
L1942	QQL42AK-820	CHOKE COIL	82μH	K
L1943	QQL26AM-2R2Z	CHOKE COIL	2.2μH	M
DIODE				
D1001	MTZJ33A-T2	ZENER DIODE		
D1101	1SS85-T2	SI DIODE		
D1102	1SS85-T2	SI DIODE		
D1104	1SS133-T2	SI DIODE		
D1203	1SS133-T2	SI DIODE		
D1231	MTZJ13B-T2	ZENER DIODE		
D1232	MTZJ13B-T2	ZENER DIODE		
D1421	1SS133-T2	SI DIODE		
D1422	MTZJ36A-T2	ZENER DIODE		
D1423	1SR124-400A-T2	SI DIODE		
D1424	MTZJ36A-T2	ZENER DIODE		
D1425	1SS133-T2	SI DIODE		
D1501	MTZJ9.1B-T2	ZENER DIODE		
D1502	MTZJ5.1B-T2	ZENER DIODE		
D1551	RGP10J-5025-T3	SI DIODE		
D1553	RH15-LFA1	SI DIODE		
D1582	RGP10J-5025-T3	SI DIODE		
D1601	MTZJ6.8A-T2	ZENER DIODE		
D1602	MTZJ6.2B-T2	ZENER DIODE		
D1631	MTZJ13B-T2	ZENER DIODE		
D1632	MTZJ13B-T2	ZENER DIODE		
D1701	1SS133-T2	SI DIODE		
D1702	1SS133-T2	SI DIODE		
D1703	1SS133-T2	SI DIODE		
D1705	1SS133-T2	SI DIODE		
D1706	MTZJ8.2B-T2	ZENER DIODE		
D1707	MTZJ8.2B-T2	ZENER DIODE		
D1708	MTZJ8.2B-T2	ZENER DIODE		
D1709	MTZJ8.2B-T2	ZENER DIODE		
D1710	1SS133-T2	SI DIODE		
D1739	MTZJ8.2B-T2	ZENER DIODE		
D1751	SLR-342VR-T16	LED (RED)		
D1752	SLR-342DU-T16	LED (ORG)		
D1753	1SS133-T2	SI DIODE		
D1754	P1241-04	CDS		
D1758	1SS133-T2	SI DIODE		
D1901	D35BA60	BRIDGE DIODE		
D1921	1SR124-400A-T2	SI DIODE		
D1922	1SS133-T2	SI DIODE		
D1924	1SS133-T2	SI DIODE		
D1926	EG1A-T3	SI DIODE		
D1927	MTZJ6.8A-T2	ZENER DIODE		
D1929	MTZJ15A-T2	ZENER DIODE		
D1941	RU3AM-LFC4	SI DIODE		
D1942	ERC30-02L38	SI DIODE		
D1943	ERC30-02L38	SI DIODE		
D1945	MTZJ5.6A-T2	ZENER DIODE		
D1971	1SR124-400A-T2	SI DIODE		
D1981	1SS133-T2	SI DIODE		
D1982	1SS133-T2	SI DIODE		
D1983	1SS133-T2	SI DIODE		
TRANSISTOR				
Q1101	2SC5083/L-P/-T	SI TRANSISTOR		
Q1102	DTC124ESA-T	DIGI TRANSISTOR		
Q1103	2SC1740S/QR/-T	SI TRANSISTOR		

TRANSISTOR

Q1101	2SC5083/L-P/-T	SI TRANSISTOR
Q1102	DTC124ESA-T	DIGI TRANSISTOR
Q1103	2SC1740S/QR/-T	SI TRANSISTOR

Symbol No.	Part No.	Part Name	Description	Local
TRANSISTOR				
Q1104	2SA933AS/QR/-T	SI TRANSISTOR		
Q1105	DTC124ESA-T	DIGI TRANSISTOR		
Q1106	DTC124ESA-T	DIGI TRANSISTOR		
Q1107	2SC1740S/QR/-T	SI TRANSISTOR		
Q1108	2SA933AS/QR/-T	SI TRANSISTOR		
Q1109	2SA933AS/QR/-T	SI TRANSISTOR		
Q1110	DTC124ESA-T	DIGI TRANSISTOR		
Q1111	DTC124ESA-T	DIGI TRANSISTOR		
Q1202	2SA933AS/QR/-T	SI TRANSISTOR		
Q1231	2SC1740S/QR/-T	SI TRANSISTOR		
Q1422	2SC1740S/QR/-T	SI TRANSISTOR		
Q1423	2SC1740S/QR/-T	SI TRANSISTOR		
Q1424	2SC1740S/QR/-T	SI TRANSISTOR		
Q1425	2SA933AS/QR/-T	SI TRANSISTOR		
Q1521	BSN304-T	MOS FET		
Q1522	2SD1878-YD	POWER TRANSISTOR		H. OUT
Q1523	2SC1815/YG/-T	SI TRANSISTOR		
Q1601	2SC1740S/QR/-T	SI TRANSISTOR		
Q1602	2SC1740S/QR/-T	SI TRANSISTOR		
Q1603	DTC124ESA-T	DIGI TRANSISTOR		
Q1604	2SC1740S/QR/-T	SI TRANSISTOR		
Q1605	DTC124ESA-T	DIGI TRANSISTOR		
Q1608	2SC1740S/QR/-T	SI TRANSISTOR		
Q1631	2SC1740S/QR/-T	SI TRANSISTOR		
Q1632	2SC1740S/QR/-T	SI TRANSISTOR		
Q1653	2SC1959/Y/-T	SI TRANSISTOR		
Q1681	DTC323TS-T	DIGI TRANSISTOR		
Q1682	2SA933AS/QR/-T	SI TRANSISTOR		
Q1683	DTC323TS-T	DIGI TRANSISTOR		
Q1701	2SA933AS/QR/-T	SI TRANSISTOR		
Q1702	2SC1740S/QR/-T	SI TRANSISTOR		
Q1703	2SC1740S/QR/-T	SI TRANSISTOR		
Q1751	DTA124ESA-T	DIGI TRANSISTOR		
Q1752	2SC1740S/QR/-T	SI TRANSISTOR		
Q1941	2SC1740S/QR/-T	SI TRANSISTOR		
Q1942	DTC144GSA-T	DIGI TRANSISTOR		
Q1971	2SA966/OY/-T	SI TRANSISTOR		
Q1972	DTC144GSA-T	DIGI TRANSISTOR		
Q1981	2SA933AS/QR/-T	SI TRANSISTOR		
IC				
IC1001	TA78L005AP-T	IC (5V REG)		
IC1101	M52342SP	IC		
IC1201	TB1226EN	IC		
IC1202	LA7222	IC		
IC1421	LA7840	IC		
IC1601	AN7395K	IC		
IC1602	TDA7315	IC		
IC1651	LA4446	IC		
IC1701	M37212M8-060SP	IC (MICROCOMPUTER)		
IC1702	AT24C08-21F8VT	IC (MEMORY)		(Service)
IC1703	L78LR05E-MA	IC (5V REG/RESET)		
IC1751	PIC-28043SR	IR DETECT UNIT		
IC1921	STR-F6654	SW REG IC		
IC1941	S1854A	IC		
IC1971	LM2940CT-12	IC (12V REG)		
IC1972	AN7809F	IC (9V REG)		
IC1973	AN7805F	IC (5V REG)		
OTHERS				
	CM35921-005-H	CDS HOLDER		
	LC30114-001C-H	LED HOLDER		
CF1103	QAX0339-001	CERAMIC TRAP		
CF1104	TPS5.5MW	C TRAP		
CF1105	TPS6.5MB	CERAMIC TRAP		
CF1106	TPSH6.0MB	CERAMIC TRAP		
CF1601	SFSH4.5MCB	CERAMIC FILTER		
CF1604	QAX0336-001	CERAMIC FILTER		
CF1608	QAX0338-001	CERAMIC FILTER		
△ CP1551	ICP-N50	IC PROTECTOR		
△ CP1942	ICP-N75	IC PROTECTOR		
△ CP1943	ICP-N75	IC PROTECTOR		
△ CP1944	ICP-N5	IC PROTECTOR		

Symbol No.	Part No.	Part Name	Description	Local
OTHERS				
EF1201	CE42142-222Z	EMI FILTER		
△ F1901	QMF51E2-3R15J4	FUSE	3.15A	
FC1901	CEMG002-001Z	FUSE CLIP (x2)		
△ FR1001	QRZ9017-100	F R	10Ω	1/4W J
△ FR1551	QRZ9017-4R7	F R	4.7Ω	1/4W J
△ FR1552	QRZ9021-1R0	F R	1.0Ω	1W J
△ FR1554	QRZ9017-150	F R	15Ω	1/4W J
J1001	CEMN075-001	PIN JACK		
J1002	CEMN065-001	PIN JACK		
J1003	CEMN065-002	PIN JACK		
J1004	CEMN072-003	PIN JACK		
J1005	CEMN076-001	PIN JACK		
K1922	CE42050-001	CORE		
K1941	CE42050-001	CORE		
K1943	CE42050-001	CORE		
△ LF1902	QQR0527-002	LINE FILTER		
△ PC1921	PC123F2	PHOTO COUPLER		
S1751	QSW0619-003Z	PUSH SWITCH	MENU	
S1752	QSW0619-003Z	PUSH SWITCH	CH-	
S1753	QSW0619-003Z	PUSH SWITCH	CH+	
S1754	QSW0619-003Z	PUSH SWITCH	VOL-	
S1755	QSW0619-003Z	PUSH SWITCH	VOL+	
△ S1901	QSP4K21-C01	PUSH SWITCH	POWER	
SF1101	QAX0323-001	SAW FILTER		
SF1102	QAX0325-001	SAW FILTER		
TH1901	QADO101-9R0	P THERMISTOR		
TU1001	QAU0186-001	AMP TUNER		
△ VA1901	ERZV10V621CS	VARISTOR		
X1301	QAX0354-001	XTAL		
X1701	CST8.00MTW	C RESONATOR		

CRT SOCKET P.W. BOARD ASS'Y (SCL-3013A-CK)

Symbol No.	Part No.	Part Name	Description	Local
RESISTOR				
R3351	QRE141J-151Y	C R	150Ω	1/4W J
R3352	QRE141J-151Y	C R	150Ω	1/4W J
R3353	QRE141J-151Y	C R	150Ω	1/4W J
R3354	QRL029J-123	OM R	12kΩ	2W J
R3355	QRE141J-222Y	C R	2.2kΩ	1/4W J
R3356	QRE141J-331Y	C R	330Ω	1/4W J
R3357	QRL029J-123	OM R	12kΩ	2W J
R3358	QRE141J-222Y	C R	2.2kΩ	1/4W J
R3359	QRE141J-331Y	C R	330Ω	1/4W J
R3360	QRL029J-123	OM R	12kΩ	2W J
R3361	QRE141J-222Y	C R	2.2kΩ	1/4W J
R3362	QRE141J-331Y	C R	330Ω	1/4W J
R3363	QRZ0111-152	C R	1.5kΩ	1/2W K
R3364	QRE141J-562Y	C R	5.6kΩ	1/4W J
R3365	QRE141J-101Y	C R	100Ω	1/4W J
R3366	QRZ0111-152	C R	1.5kΩ	1/2W K
R3367	QRE141J-101Y	C R	100Ω	1/4W J
R3368	QRZ0111-152	C R	1.5kΩ	1/2W K
R3369	QRE141J-101Y	C R	100Ω	1/4W J
R3370	QRE122J-104	C R	100kΩ	1/2W J
R3372	QRE141J-103Y	C R	10kΩ	1/4W J
R3373	QRE122J-104	C R	100kΩ	1/2W J

CAPACITOR

C3351	QETM1CM-477	E CAP.	470μF	16V	M
C3353	QCB31HK-331	C CAP.	330pF	50V	K
C3355	QCB31HK-331	C CAP.	330pF	50V	K
C3357	QCB31HK-391	C CAP.	390pF	50V	K
C3359	QFZ0097-223	MM CAP.	0.022μF	1250V	K
C3360	QFLB1HJ-103	M CAP.	0.01μF	50V	J

COIL

L3351	QQL242K-820	PEAKING COIL	82μH	K
L3352	QQL242K-820	PEAKING COIL	82μH	K
L3353	QQL242K-820	PEAKING COIL	82μH	K

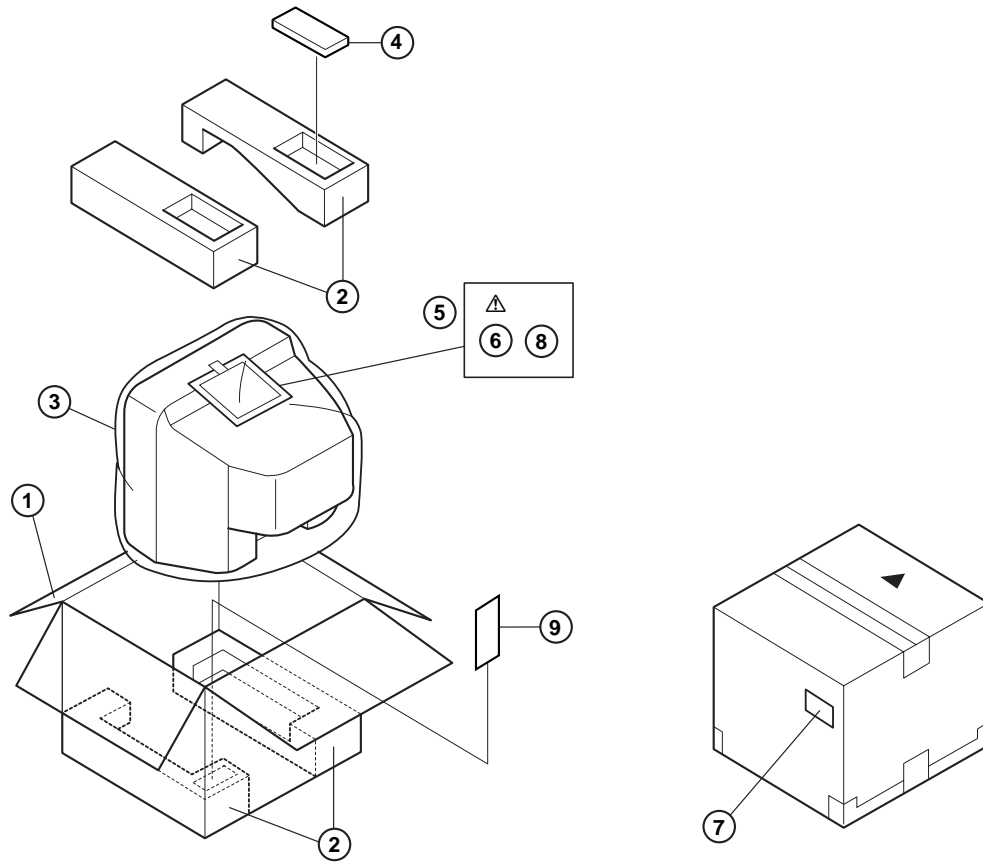
TRANSISTOR

Q3351	25C3620	SI TRANSISTOR
Q3352	25C3620	SI TRANSISTOR
Q3353	25C3620	SI TRANSISTOR

OTHERS

△ SK3351	CE42554-001	CRT SOCKET
----------	-------------	------------

PACKING



PACKING PARTS LIST

△ Ref.No.	Part No.	Part Name	Description	Local
1	GG10007-014A	PACKING CASE		
2	GG10018-001A	CUSHION ASSY	4 pcs. in 1 set	
3	CP30967-003-H	POLY BAG		
4	RM-C218-1C	REMOCON UNIT		
5	CP30966-001-H	POLY BAG		
△ 6	LCT0765-001A	INST BOOK		
7	CM43936-001	POS/SERIAL LABEL	(x2)	
8	CEAB005-00AJ1	MATCHING BOX		
9	CM35847-00B-H	ROD ANTENNA ASSY		

REMOTE CONTROL UNIT PARTS LIST (RM-C218-1C)

△ Ref.No.	Part No.	Part Name	Description	Local
	3139 224 20073	BATTERY COVER		